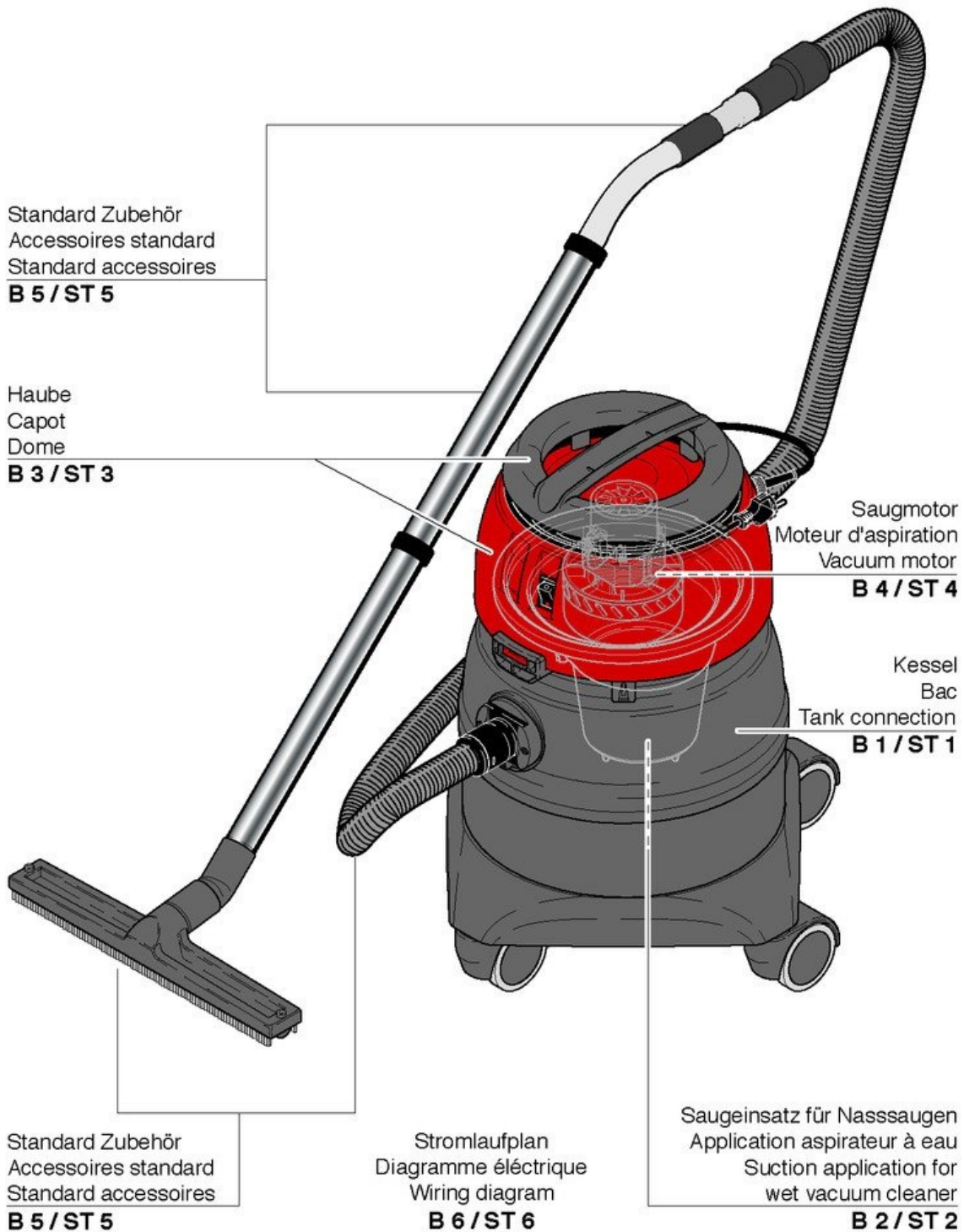


SW 21 Aqua

Contents

Stand: 22.06.2021 11:53

SW-21



SW 21 Aqua

Tank connection

Stand: 22.06.2021 11:53

Position	Ersatzteilenummer	Description
1	014.100	Tank connection cpl. anthracite incl. items 2,4-10
2	014.128	Car anthracite complete 4 avec wheels
4	P204G	Swivel castor wheel Ø 80 mm
6	4012234	Tank connection anthracite gray
7	014.105	Saffle SW21 anthracite gray
8	P515N	Screw WN 1452 K50 x 35
9	P009	Handle
10	649012512	Seal
11	014.124	Foam rubber cord Ø4mm

SW 21 Aqua

Suction application for Wet vacuum cleaner

Stand: 22.06.2021 11:53

Position	Ersatzteilenummer	Description
1	014.600	Float insert cpl. contenant Pos. 2-8
2	014.622	Tank SW21 cpl.
3	014.623	Cover
4	014.620	Float including sleeve
5	014.624	Float
6	P497K	Washer DIN 125 A M6 6,4/12/1,6 A2
7	P492K	Stop nut DIN 985 M6 A2
8	P253L	Wing nut Ø 34 M6 passage fileté

SW 21 Aqua

Dome

Stand: 22.06.2021 11:53

Position	Ersatzteilenummer	Description
1	021.203	Cover in red compl. including Items 2-5
2	022.112	Handle S10 anthracite gray
4	P240	Rocker switch orange 230V
5	P516G	Screw WN 1451 K40 x 16
6	020.213	Air canal cover
7	021.206	Sound insulation
9	022.114	Pin hold anthracite gray soft
10	020.116	Seal lever anthracite gray hard cpl.
11	022.115	Pin
12	P288A	Electrical connection VDE 2 x 1,0mm ² 10m
12	P287A	Electrical connection SEV 2 x 1,0mm ² , 10m
13	P279	Cable clamp 2 parts
14	P279H	Locknut PG9
15	P280	Cable grommet
16	P278	Cable clamp gray
17	P516C	Screw WN 1452 K40 x 16

SW 21 Aqua

Vacuum motor

Stand: 22.06.2021 11:53

Position	Ersatzteilenummer	Description
1	020.211	Sound insulation engine
2	P515X	Screw WN 1452 K40 x 20
3	020.303	Motorplate
4	012.133	Seal for motor
5	P971H	Profile
6	P870E	Vacuum motor 230V/50Hz 1000 W bp
7	P870KB	Carbon brush (Pair) OEP
8	020.309	Isolation ring
9	020.308	Reinforcement piece
10	020.304	Bucket gasket
11	022.134	Engine air cleaner
12	022.143	Wiring harness vacuum motor incl. Suppression capacitor
13	P390	Marking plate 500 BZ 3 Empty,N,L
14	020.307	Cable tree with cable clamp
15	P516E	Screw WN 1451 K30 x 20
16	P517A	Screw WN 1452 K40 x 35
17	4611085	Cable clamp anthracite gray
18	P515Z	Screw WN 1452 K50 x 16

SW 21 Aqua

Standard accessoires

Stand: 22.06.2021 11:53

Position	Ersatzteilenummer	Description
1	014.567	Inox tubes including items 2+3
2	645.002A	Chromed metal tube
3	P584	Toolhandle Chromed metal Ø38mm
4	014.569	Suction hose 4m Ø38 cpl. including items 5-8
5	4011745	Hose end connector anthracite grey
6	6505476	Security ring
7	6505477	Connection ring Ø38
8	P560C	Hose end connector black
9	646.300	Water suction nozzle 37cm