

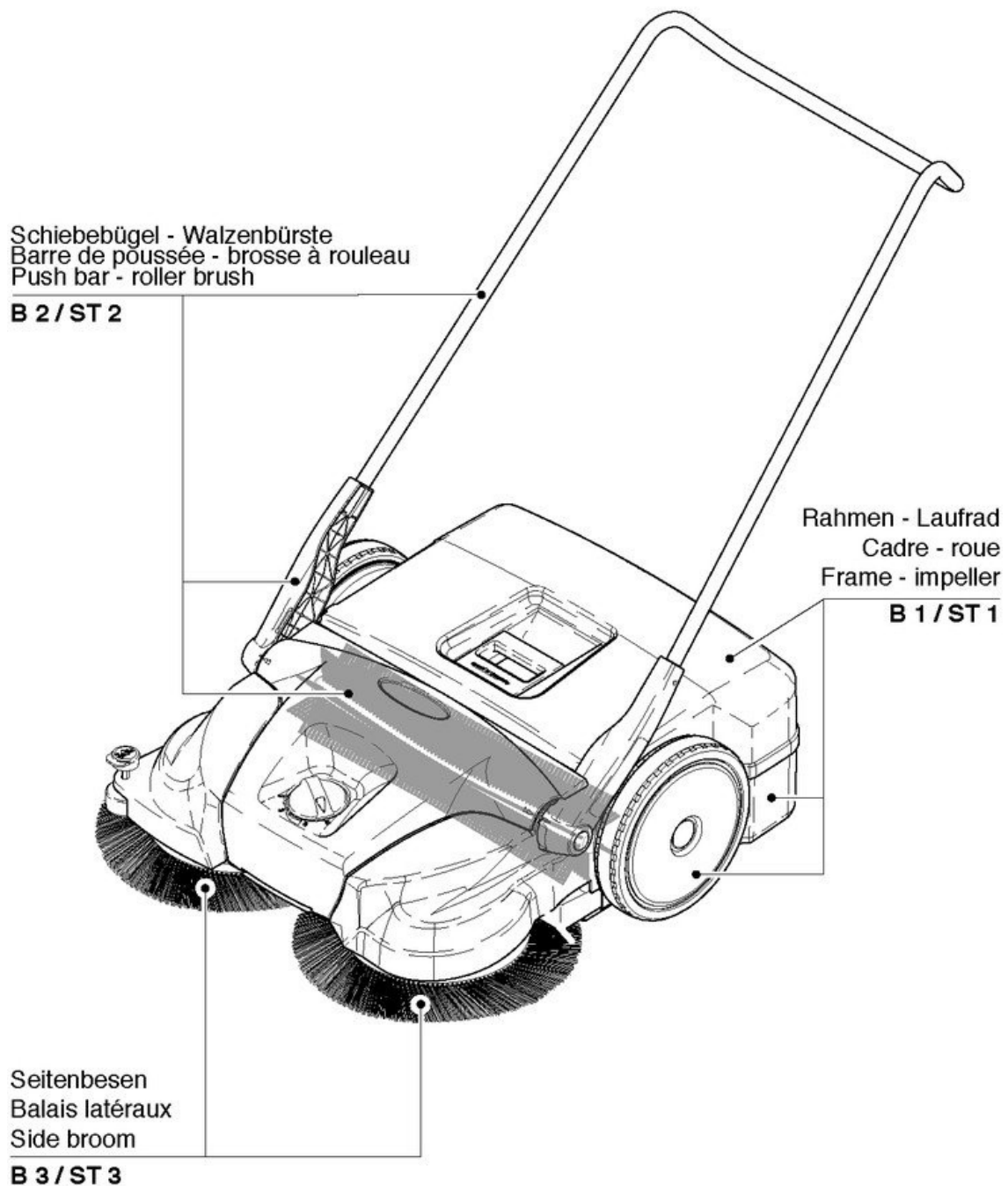
HS 770-2

Contents

Stand: 16.10.2021 08:57



HS 770-2



HS 770-2

Frame - impeller

Stand: 16.10.2021 08:57

Position	Ersatzteilenummer	Description
1	-	Cover
2	075.228	Container handle
3	-	Frame
4	-	Rebound plate
5	075.216	Sealing lip long
6	-	bearing bush
7	-	Roller axis
8	-	Profile tires
9	-	Filter frame
10	075.229	Filter
10	-	Sweeping plate
11	-	Mounting plate 477
12	-	Adjustment knob
13	075.223	Wheel holder
14	075.225	Clamping peg
15	075.224	Bearing 6805 ZZ Ø37 / 25 x 7
16	-	Clutch lamella TB LK
17	-	Gear rim LK
18	-	Impeller with tire LK
19	075.205	Slider right
20	075.204	Slider left
21	075.206	Deflection button
22	075.201	Guide roller
23	075.207	Pied de renvoi

HS 770-2

Push bar - roller brush

Stand: 16.10.2021 08:57

Position	Ersatzteilenummer	Description
1	-	Cover
2	075.217	Detent spring
3	-	Frame
4	075.202	Screw
5	075.218	Pinion
6	075.219	Ball Bearing 6903 ZZ Ø30 / 17 x 7
7	075.220	Spool protection ring
8	075.221	Roller brushes intake
9	075.222	Roller brush 0.47m
10	-	Sweeping plate
11	075.227	Sealing lip, short right
12	075.226	Sealing lip, short left
13	075.216	Sealing lip long
14	075.215	Sweeping lip

HS 770-2

Side broom

Stand: 16.10.2021 08:57

Position	Ersatzteilenummer	Description
1	075.203	Bearing pins
2	-	Screw
3	075.208	Side brush set (left + right)
4	075.211	Clutch plate SB LK
5	075.210	Coupling housing LK
6	075.209	Tooth sleeve gray
7	-	Roller axis
8	075.212	Schraeg wheel left including gearbox protection
9	075.213	Schraeg wheel right including gearbox protection
10	075.214	Securing