

TW 1250

Contents

Stand: 16.10.2021 07:45



TW 1250

Schmutz- und Frischwassertank
 Recipient d'eau sale et Recipient d'eau propre
 Waste water tank and Clean water tank

B 1 / ST 1

Haltebügel
 Poignée
 Handle

B 4 / ST 4

Einbau Pumpe
 Montage de la pompe
 Pump assembling

B 2 / ST 2

Netzzuleitung
 Cable d'alimentation
 Electrical connection

B 6 / ST 6

FZP-Pumpe
 FZP-Pompe
 FZP-Pump

B 2a / ST 2a

Einbau Saugmotor
 Moteur de la moteur d'aspiration
 Vacuum motor assembling

B 5 / ST 5

Chassis und Laufrad
 Chassis et Roue
 Chassis and Wheel

B 3 / ST 3

Netzzuleitung
 Cable d'alimentation
 Electrical connection

B 6 / ST 6

Teppichadapter
 Adapteur tapis
 Carpet tool

B 7 / ST 7

Saug-Sprühschlauch
 Tuyau d'asp. et pression
 Spray and suction hose

B 8 / ST 8

Stromlaufplan
 Diagramme électrique
 Wiring diagram

B 9 / ST 9

Sonderzubehör / Accessoires

Wand- und
 Deckendüse
 Suceur inj/
 extr. Parois
 Spray nozzle
 for walls

B 10 / ST 10



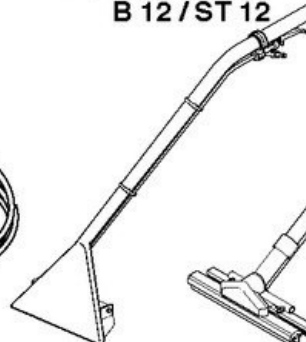
Vorsprühlanze
 mit Schlauch
 Lance d'inject.
 avec tuyau
 Spray nozzle
 with hose

B 11 / ST 11



Teppichadapter 5 Düsen
 Adapteur tapis, 5-gicleur
 Carpet adaptor, 5-nozzles

B 12 / ST 12



Hartbodenadapter
 Adapteur pour les sols durs
 Hard floor attachment

B 13 / ST 13

Polsteradapter
 Adapteur pour ameublements
 Upholstery tool

B 14 / ST 14



TW 1250

Waste water tank and Clean water tank

Stand: 16.10.2021 07:45

Position	Ersatzteilenummer	Description
1	P488B	Screw DIN 912 M5 x 12 A2
2	P497K	Washer DIN 125 A M6 6,4/12/1,6 A2
3	430.618	Distance piece $\varnothing 7/5$ x 5,5
4	710.122	Hinge
5	124.350	Cover cpl.
6	P4800	Screw DIN 965 M4 x 8 A2
7	124.315	Seal for cover
8	014.105	Baffle plate SW21 anthracite grey
9	124.304	Angle
11	649012512	Seal
13	P494C	Metal clamp 4,2/3 - 3,9
14	124.311	Upper fixation
15	P476P	Screw DIN 7985 M6 x 12
16	P483O	Screw DIN 7981 TX25 C 4,8 x 19 A2
17	P240	Touchbutton orange 230V
18	125.104	Covering plate
19	124.323	Seal for panel 0,1m
20	4012234	Hose connection anthracite gray
21	P515N	Screw WN 1452 K50 x 35 St vz
22	P515E	Screw WN 1452 K50 x 30 St vz
23	124.312	Panel fixation
24	124.301	Waste water tank red
25	P520C	Double fitting 1/4" AG
26	P535A	Reducer 3/8" - 1/4" x 20 Ms
27	P097A	Gasket 3/8"
28	P510N	Washer DIN 125 A M16 17/30/3
29	125.201	Clean water tank red
30	P097	Gasket 30/17/2 PE
31	P535B	Hexagon nut 3/8" Ms
32	P541H	Angled connector
33	P535C	Nut SW22 G3/8" Ms
34	P960N	Ring DIN 3771 15/2 NBR 70 SH A
35	P103	Fresh water filter HD
36	P499L	Guard ring with flap NW 12
37	P535J	Reducer G3/8" - 1/4" Ms

TW 1250

Pump assembling

Stand: 16.10.2021 07:45

Position	Ersatzteilenummer	Description
1	P252A	Manometer 0-16 bar
2	P535V	Hexagon nut 1/4"
3	P531B	Angle IG 1/4"
4	P524F	Nipple NW8-1/4" AG
5	P550C	Hose clamp 17,0-706R
6	P525K	Hose nipple NW8-1/4"
7	P520C	Double nipple 1/4" AG
8	125.103	Y-piece 1/4"
9	P256	By pass valve 3/8"
9	P256B	Modified to Masch.Nr. 9317.000
10	125.106	Pressure hose Pump - coupling 0,43m
11	125.105	Suction hose cpl. 0,8m
12	P483O	Screw DIN 7981 C 4,8 x 19 A2
13	P486P	Screw DIN 912 M6 x 20
14	124.314	Spring clip
15	P481P	Screw DIN 7985 M4 x 8
16	P522F	Hose nozzle 3/8" 10mm 14,5 x 45
17	P523E	Sleeved nut 3/8"
18	125.117	Pressure hose 0,26m
18a	125.116	Pressure hose 1,22m
19	125.105A	Suction hose 60cm cpl.
20	P521C	Double nipple A 1/4"-A 3/8"
21	P551Q	Hose clamp 018,5-706R
22	380.045	Quick connector G 1/4"
24	P492K	Stop nut DIN 985 M6 A2
25	060.241	Round buffer M6 x 15, ø20 x 15, M6 I-Gew
26	125.102	Distance piece
27	P499D	Washer DIN 6798 M6 6,4/11/0,7 A2
28	P497H	Washer DIN 9021 M6 6,4/18/1,6 A2
29	P472Y	Screw DIN 933 M6 x 45 A2
30	P804	Coupling
31	P802	FZP Pump with Viton seals
32	P013	Sealing ring Ø103/77 x 10 PE
33	P522C	Hexagon screw LW8-1/4"
34	P522G	Sleeved nut
35	P486I	Screw DIN 912 M5 x 16
36	P499AB	Washer DIN 137 B M8 8,4/15/1,5 A2
37	P490E	Nut DIN 934 M6
38	125.114	Low pressure hose 0,6m
39	P533B	Screw-in angle G1 / 4 "
40	125.113	Low pressure hose 0,8m



TW 1250

Pump assembling

Stand: 16.10.2021 07:45

Position	Ersatzteilenummer	Description
1	807.200	Bearing plate in front
2	807.210	Bearing plate in the back
3	801.006A	Eccentric hoop Ø68/37,4 x 17,8
4	801.003	Runner Ø36 x 22mm / Ø11mm
5	801.004AA	Wave FZP 1/18 Ø11
6	807.260	Bearing bush Ø37,8 x 27mm
7	807.280	Side window Ø68 x 3.3mm edit
8	P499U	Spacer ring 30 x 4
9	P499W	Shim 30 x 1,8
10	P499V	Shim Ø29.8 x 1,5
11	P319N	Spring wedge DIN 6885 A 3/3/16 A4
12	P316B	Ball bearing 6200 Ø30/10 x 9
13	P317H	Radial rotary shaft seal 24/10 x 7mm Viton
14	P961R	Ring DIN 3771 34,00/2 NBR HITEC
15	P961W	Ring DIN 3771 47,00/1,5 NBR HITEC
16	807.320	Coal slidegate valve 7 x 2 x 17,8mm
17	P490C	Hexagon nut DIN 934 M5
18	P486N	Screw DIN 912 M5 x 40 with shank
19	P513C	Ring DIN 471 10/1,0
20	801.009	Nipple Ø13 x 40mm
21	P512R	Stift ISO 8752 3 x 10 A2
22	P802	FZP - Pump with Viton gasket
23	P171T	Sealing plug 9 / 14mm

TW 1250

Chassis and Wheel

Stand: 16.10.2021 07:45

Position	Ersatzteilenummer	Description
1	P486P	Screw DIN 912 M6 x 20 St vz
2	124.111	Closing plate
3	P487N	Screw DIN 912 M10 x 45 with shaft St vz
4	P496S	Washer DIN 9021 M10 10,5/30/25 A2
5	124.113	Reinforcing washer
6	530.225	Castor Ø100mm
7	P492Q	Security nut DIN 985 M10 St vz
8	124.101	Chassis anthracite grey
9	530.242	Wheel cover red
10	P472R	Screw DIN 933 M6 x 12 A2
11	P498U	Ring DIN 127 B M6 6,1/11,8/1,6 A2
12	530.240	Impeller Ø200 x 53mm incl. bearing
13	P499WW	Washer DIN 98 8 20/32/0,5 St vz
14	124.102	Wheel axle ø20 x 395mm
15	124.103	Washer
16	P510L	Washer DIN 522 M6 6,4/25/1,5 A2
17	P497H	Washer DIN 9021 M6 6,4/18/1,6 A2
18	P510E	Washer DIN 9021 M6 6,4/18/1,6 PA6.6

TW 1250

Handle

Stand: 16.10.2021 07:45

Position	Ersatzteilenummer	Description
1	P476P	Screw DIN 7985 M6 x 12
2	124.205	Cable support
3	124.202	Handle compl.
4	124.204	Basket for material
5	P481P	Screw DIN 7985 M4 x 8
6	P472R	Hexagon screw M 6x12
6a	P472U	Hexagon screw M 6x25
7	P493G	Security nut DIN 985 M5 A2
8	124.207	Support
9	124.208	Star handle M6
10	P071	Vacuum pipee sievee
11	124.306	Float compl.
12	P074B	Float tube
13	P076D	Flab for floater
14	124.318	Body for float
15	124.206	Connecting piece
16	420.740	Cylindrical brush compl. including Items 16a-18
16a	420.741	Discharge hose
17	500.409A	Hose socket 45x25x80 mm
17a	500.410	Cover for hose socket
18	P553R	Hose clamp 039.6-706R
19	P488I	Screw DIN 912 M5 x 20 A2
20	P496H	Washer DIN 125 A M5 5,3/10/1
20a	P497Q	Washer DIN 9021 M5 5,3/15/1,2 PA6.6
21	P109A	Hose support
22	124.309	Left hinge
23	124.307	Lower part of hinge
24	124.310	Right hinge
25	124.308	Distance ring
26	P497H	Washer DIN 9021 M6 6,4/18/1,6 A2
27	124.316	Suction tube
28	124.305	Guide sleeve Tecast T
29	P496K	Washer DIN 125 A M6 6,4/12/1,6
30	P492K	Stopp-nut DIN 985 M6 A2
31	125.305	Float support
32	P499C	Washer DIN 6798 A M5 5,3/10/0,6
33	P483G	Screw DIN 7981 C 2,9 x 9,5 St vz
34	P488S	Screw DIN 912 M6 x 30 A2
35	P510E	Washer DIN 9021 M6 6,4/18/1,6 PA6.6
36	P491E	Nut DIN 934 M6 A2

TW 1250

Vacuum motor assembling

Stand: 16.10.2021 07:45

Position	Ersatzteilenummer	Description
1	124.150	Vacuum motor 240V/50 - 60Hz
2	124.150KH	Carbon brushes (pair)
3	P499D	Washer DIN 6798 M6 6,4/11/0,7 A2
4	P472R	Screw DIN 933 M6 x 12 A2
5	530.737	Noise absorber for motor
6	P472S	Screw DIN 933 M6 x 16 A2
7	470.490	Connection cap compl.
8	P206D	Hose clamp 32-50mm/12
9	124.115	Hose socket
10	124.109	Suction hose L=0,9m kpl.
11	124.112	Noise absorbing canal
12	124.110	Air discharge hose L=0,6m
13	124.104	Distance piece 101mm
14	124.105	Distance piece ø18 x 93mm
15	060.241	Round buffer M6 x 15, ø20 x 15, M6 I-Gew
16	124.116	Covering piece
17	P516P	Screw WN 1452 K40 x 12 St vz
18	P497H	Washer DIN 9021 M6 6,4/18/1,6 A2
19	041.605	Cable tree for Vacuum motor
20	033.317	Clamp bow 1,5mm ² , L=0,44m

TW 1250

Electrical connection

Stand: 16.10.2021 07:45

Position	Ersatzteilenummer	Description
1	124.303	Cable tree for switch
2	125.111	Cable tie holder HC-2
3	P476P	Screw DIN 7985 M6 x 12
4	P516S	Screw WN 1452 K30 x 14
5	P379A	Distribution box cover
6	P394	Marking plate 500 BZ 3 L,N,PE
7	P383M	Terminal with DS, 9 P. 2,5mm ²
8	P377	Terminal box bottom part
9	P385O	Capacitor 10uF
10	P496K	Washer DIN 125 A M6 6,4/12/1,6
11	125.121	Threaded bush to condenser
12	041.605	Cable tree for vac motor
13	6605178	Antikink sleeve
14	P516O	Screw WN 1452 K40 x 25
15	124.107	Mains cable SEV, 800mm
?	P609	Cable tie black schwarz 4,8 x 178mm
17	P030L	Grating ventilation round Ø65,7m gray
19	P483H	Screw DIN 7981 C 2,9 x 6,5 A2
20	P497J	Washer DIN 9021 M3 3,2/9/0,8
21	125.040	
22	125.041	

TW 1250

Carpet tool

Stand: 16.10.2021 07:45

Position	Ersatzteilenummer	Description
1	611.000	Carpet adapter 4 nozzles
2	P605	Tube with nozzle 30 cm
3	P605D	Sliding blade 275 mm
4	P609	Cable tie 4.8x200 mm
5	P526A	Hose connector compl.
6	P607	Pipe bend 250 mm
7	P607E	Flashback nozzle
9	P523D	Cap nut 3/8"
10	P607A	Support 25cm
11	P499D	Washer M 6
12	P472P	Hexagon screw M 6x8
13	P608	Hose 6/8
14	P683	Guide bride cpl.
17	P680	Spray valve compl.
18	P526A	Hose connector compl.
19	P680B	Valve compl.
?	P609	Cable tie black schwarz 4,8 x 178mm
?	P607F	Spraying jet

TW 1250

Spray and suction hose

Stand: 16.10.2021 07:45

Position	Ersatzteilenummer	Description
17	P681	Spray valve compl. including: items 18-27
18	P681A	Valve body
19	P501B	Tapped nipple 1/4" big
20	P681C	Lever
21	P681K	Cylindrical pin Ø 1.5x14.5 mm
22	P681F	O-ring 5.23 mm
23	P681D	Valve pin compl.
24	P681E	Valve spring
25	P497G	Washer M 5
26	P681G	O-ring Ø 5mm
27	P681B	Cap nut
28	125.400	Vacuum and spray hose 4m, including items 29-39
29	P560C	Hose end connector
31	4011745	Hose end connector
32	125.410	Spraying hose HD cpl. 3,8m including items 33-36
33	P500C	Female quick connector, big
34	P551Q	Hose clamp 18,5-706 R
35	124.400B	Spraying hose 6/12x3800 mm
36	P501C	Quick connector male, big
37	P424	Cable tie 4.8x300 mm
38	6505477	Connection ring
39	6505476	Security ring

TW 1250

Spray nozzle for walls

Stand: 16.10.2021 07:45

Position	Ersatzteilenummer	Description
1	622.000	Wall and ceiling tool 9 cm
2	P680	Spray valve compl.
3	P683	Guide bride cpl.
7	622.100	Nozzle housing
8	P628	Pipe bend
9	P629	Spray nozzle
10	622.102	Sheet metal clamp front
11	P497D	Washer DIN 125A M4 4,3/9/0,8 Ms
12	P495C	Nut M 4
13	622.104	Rubber cover for wall washer
14	P483D	Thread pin M 4x10
15	622.636	Brush for wall washer 9 cm
16	622.101	Splash protection
17	622.103	Sheet metal clamp behind
18	622.107	Distance piece 30x20x20
19	622.106	Distance piece 8/4x16
20	622.105	Thread pin M 4x55

TW 1250

Spray nozzle for walls

Stand: 16.10.2021 07:45

Position	Ersatzteilenummer	Description
1	660.000	Spray nozzle with hose
2	P501C	Quick connector male, big
3	P550C	Hose clamp 17mm
4	110.560C	Hose HD 10m
5	660.130	Cup nut cpl.
6	660.110	Spraying valve cpl.
7	660.120	Spray nozzle 60cm curved
8	P640B	Jet for spray lance
9	P602D	Cup nut 3/8''

TW 1250

Carpet adaptor, 5-nozzles

Stand: 16.10.2021 07:45

Position	Ersatzteilenummer	Description
1	608.000	Carpet adaptor, 5-nozzles, HD compl.
2	P612	Tube with nozzle, Alu
3	P618	Sliding blade 355 mm
4	P609	Cable tie 4.8x200 mm
5	P616	Pipe bend cpl. 320 mm
6	P526A	Hose connector cpl.
7	P607E	Flashback nozzle
8	P607F	Spraying jet
9	P523D	Cap nut 3/8"
10	P613	Support 380 mm
11	P499D	Washer M 6
12	P472P	Hexagon screw M 6x8
13	P608	Hose 6/8
14	P683	Guide bride cpl.
17	P680	Spray valve compl.
18	P526A	Hose connector compl.
19	P680B	Valve compl.

TW 1250

Hard floor attachment

Stand: 16.10.2021 07:45

Position	Ersatzteilenummer	Description
1	632.000	Hard floor adapter 37 cm
2	P581D	Tool handle Ø 32 (stainless steel)
3	645.002A	Stainless steal tube
4	632.001	Suction nozzle assy. including item 6, 22 and 23
5	P633	Sueegee compl.
6	P483O	Screw DIN 7981 C 4,8x19 A2
7	P568	
8	632.003	Hose NW 6x1100
9	P683	Guide bride cpl.
12	P488P	Screw DIN 912 M6 x 16 A2
13	P524R	Nipple with backfiring valve
14	P631	Pipe bend
15	P640A	Spraying jet
16	P636	
17	P497K	Washer M 6
18	P488P	Screw DIN 912 M6 x 16 A2
19	632.006	Hose clip
20	P684	Spray valve compl.
21	P501B	Hose connector compl.
22	632.005	underlay
23	632.002	retaining plate

TW 1250

Upholstery tool

Stand: 16.10.2021 07:45

Position	Ersatzteilenummer	Description
1	617.000	Upholstery tool 8 cm
2	617.623	Upholstery tool 8 cm
3	P683	Guide bride cpl.
7	617.624	Hose
8	P627	Flat fan nozzle
9	617.625	Pipe bend
10	P680	Spray valve compl. including Items 11-20
11	P680A	Valve body
12	P501B	Tapped nipple 1/4" big
13	P681C	Lever
14	P681K	Cylindrical pin Ø 1.5x14.5 mm
15	P681F	O-ring Ø 5.23 mm
16	P681D	Valve pin compl.
17	P681E	Valve spring
18	P497G	Washer M 5
19	P681G	O-ring Ø 5 mm
20	P681B	Cap nut