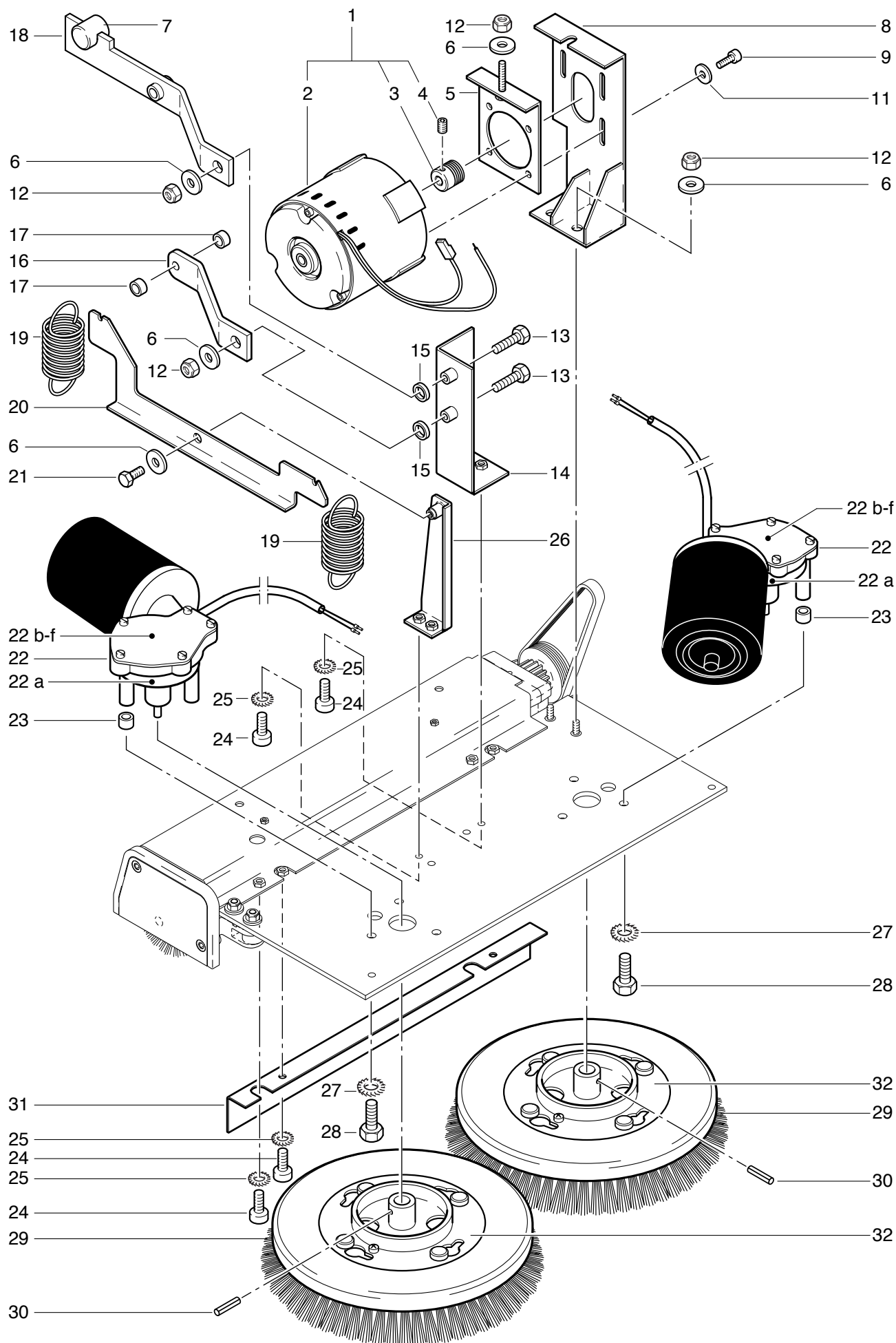


RA 530 B
Brush motor and activation disc brush



RA 530 B

Brush motor and activation disc brush

Pos.	Description	Reference
01	Brush motor complete including items 2-4	530.150
02	Brush motor 24 volts	440.203
03	Belt pulley	530.151
04	Pin M 5x5 mm	P...482Z
05	Belt tightener	530.122
06	Washer M6	P...496L
07	Lever support	530.177
08	Brush motor support	530.121
09	Hexagon socket screw M 5x14 mm	P...488F
11	U-Scheibe M5	P...496G
12	Security nut M6	P...493K
13	Hexagon screw M 6x25 mm	P...471Q
14	Support	530.102
15	Distance ring	530.185
16	Guiding lever	530.178
17	Distance ring	530.187
18	Intermediate lever	530.173
19	Spring	530.172
20	Spring support	530.179
21	Hexagon screw M 6x8 mm	P...470Q
22	Brush motor 24 volts	510.051
22a	Gear wheel (internal)	500.051B
22b	Brush motor as from 1999 KW 28	500.048A
22c		500.048
22d		510.047
22e	Schneckenrad zu 500.048A	510.048
22f		510.049
23	Distance ring	500.052
24	Hexagon socket screw M 6x16 mm	P...486R
25	Serrated lock washer M6	P...498K
26	Support	530.127
27	Serrated lock washer M8	P...498G
28	Hexagon screw M 8x25 mm	P...471F
29	Nylon washing brush	530.059
30	Pin 5x22 mm	P...512Q
31	Splash protection	530.104
32	Driving plate	500.055