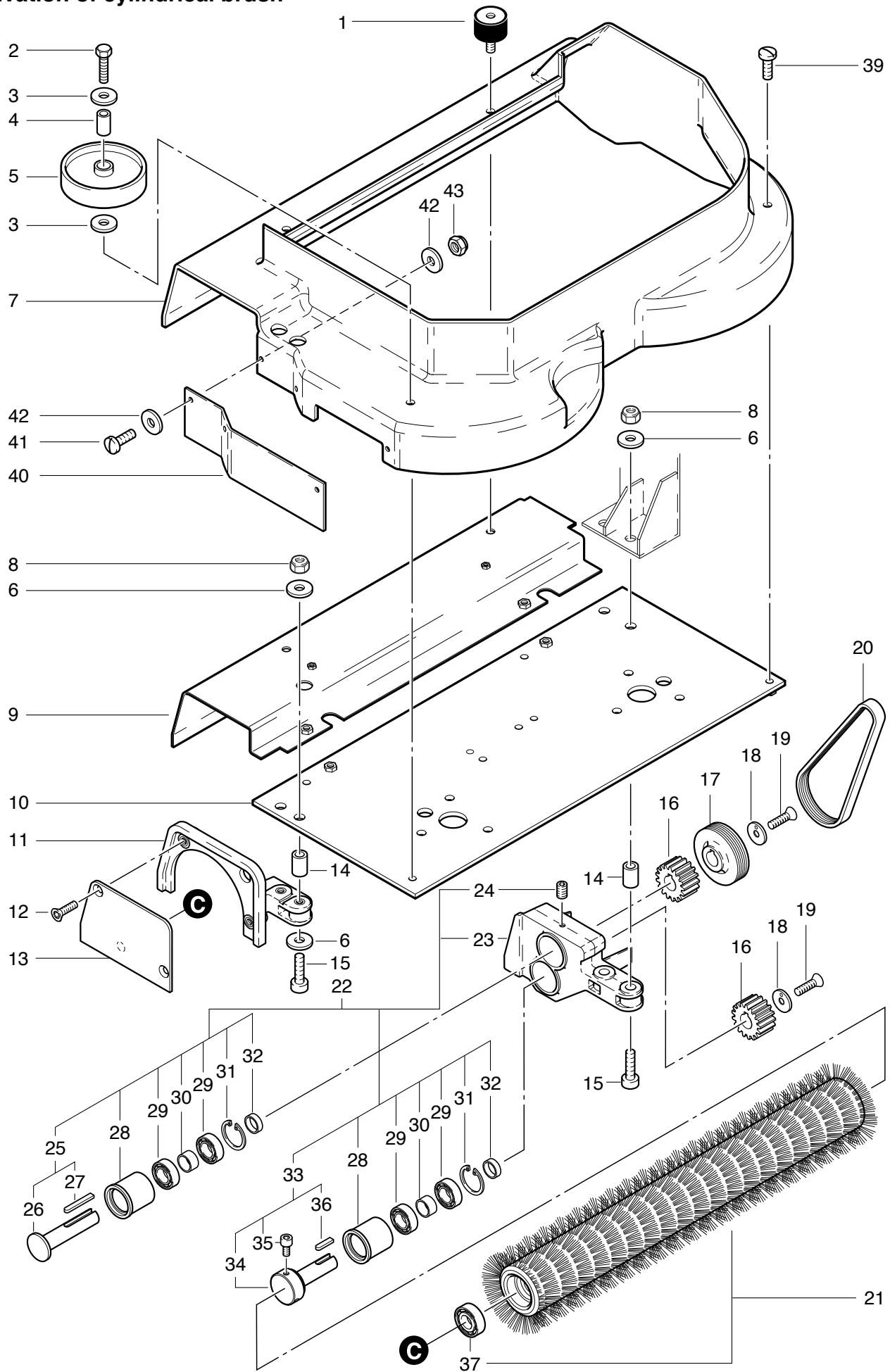


RA 530 B

Activation of cylindrical brush



RA 530 B

Activation of cylindrical brush

Pos.	Description	Reference
01	Round buffer	500.499
02	Hex. socket screw M 6x25 mm	P...471A
03	Washer M6	P...496L
04	Distance tube 6/10x29 mm	530.138
05	Fender wheel	530.136
06	Washer M6	P...496K
07	Brush cover	530.130
08	Stop nut M6	P...493K
09	Brush canal	530.103
10	Motor plate	530.101
11	Support	530.113
12	Countersunk screw M 6x12 mm	P...487U
13	Gear housing cover	530.123
14	Positioning tube	530.126
15	Hex. socket screw M 6x30 mm	P...486W
16	Gear wheel	530.165
17	Belt pulley	530.166
18	Holding washer	P...499Z
19	Countersunk screw M 6x12 mm	P...487U
20	Driving belt	530.425
21	Standard brush complete including item 37	530.470
22	Bearing housing complete including items 23-36	530.109
23	Bearing housing	530.110
24	Threaded pin M 5x8 mm	P...482X
25	Intermediate axle complete including items 26+27	530.155
26	Intermediate axle	530.162
27	Wedge	P...474A
28	Bearing box	530.160
29	Ball bearing	P...316L
30	Distance ring 20/15x5.8 mm	530.164
31	Retaining ring dm 28 mm	P...499G
32	Distance ring 15/18x9.6 mm	530.161
33	Traction axle complete including items 34-36	530.156
34	Traction axle	530.163
35	Hex. socket screw M 5x8 mm	P...488E
36	Wedge 5x5x20 mm	P...474B
37	Ball bearing	P...316D
39	Pan head screw M 6x10 mm	P...470T
40	Splash protection (right)	530.139
41	Pan head screw M 5x12 mm	P...475I
42	Washer M5	P...497E
43	Stop nut M5	P...493G