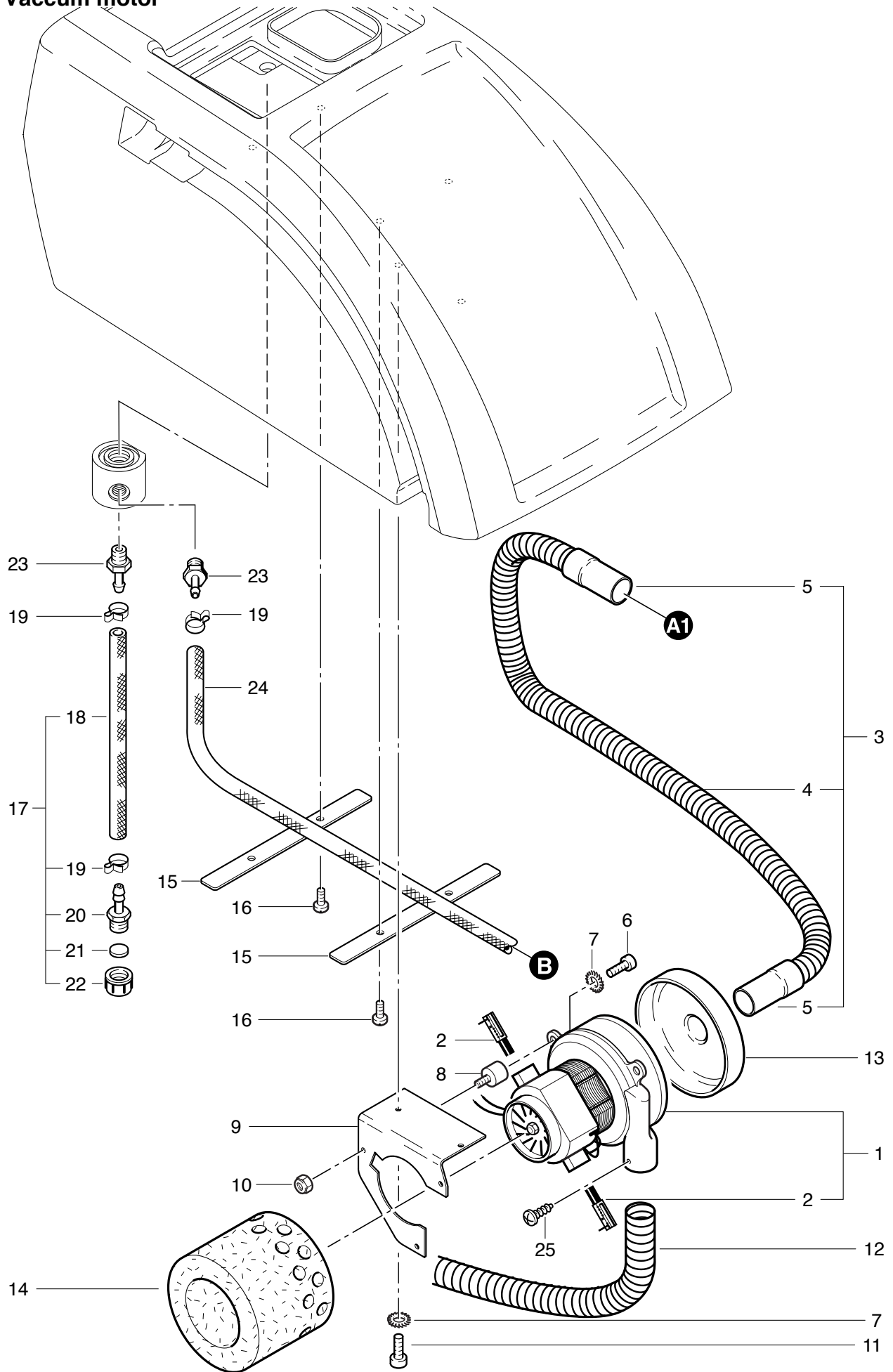


**RA 530 B**  
**Vaccum motor**



## RA 530 B

### Vaccum motor

<b>Pos.</b>	<b>Description</b>	<b>Reference</b>
01	Suction motor 24 volts	440.206
02	Carbon brushes (pair)	500.441K
03	Hose vacuum motor-cover including: items 4+5	530.740
04	Vacuum hose 1,1 m	530.743
05	Hose socket	P...575B
06	Hexagon socket screw M 6x16 mm	P...486R
07	Serrated lock washer M6	P...498K
08	Round buffer	060.241
09	Vacuum motor support	530.731
10	Stop nut M6	P...493K
11	Hexagon socket screw M 6x12 mm	P...486Q
12	Exhaust air hose 0,82 m	530.734
13	hose connection cap	P...206A
14	Noise absorber for motor	530.737
15	Support	530.715
16	Pan head screw M 6x10 mm	P...475M
17	Clean water discharge hose including: items 17-21	530.719
18	PVC hose 180 mm	P...566F
19	Hose clamp	P...550N
20	Straight connector	P...540I
21	Sealing washer	530.720
22	Cover	P...542P
23	Hose connector 1/4''	P...525A
24	Connecting hose 1650 mm	530.410
25	PT-screw KA 30x10 mm	P...516A