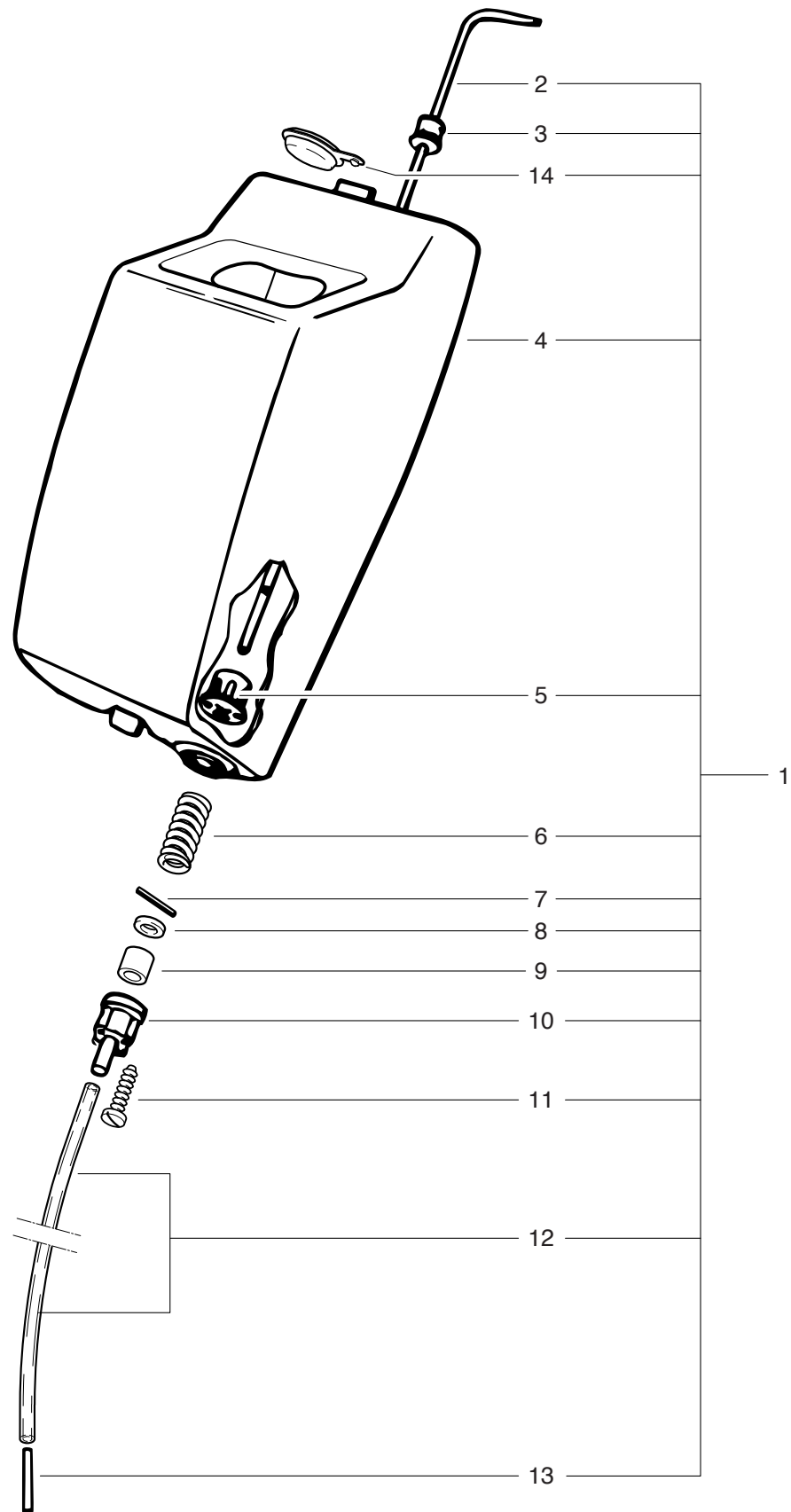


R 50-150
Solution tank



R 50-150 Solution tank

Pos.	Description	Reference
01	Solution tank, complete including Items 2-14	719000
02	Operating handle	719110
03	Ignition distributor cap	6605211
04	Solution tank	719100
05	Valve body, top	4112144
06	Compression spring	634112285
07	Straight pier 3x24	P...512 N
08	Washer M 4	P...496 D
09	Buffer sleeve	6475158
10	Valve body, bottom	4112143
11	Sheet metal screw 3,5x38	P...483 N
12	Plastic hose	3112286
13	Tube	675112152
14	Cover	300731