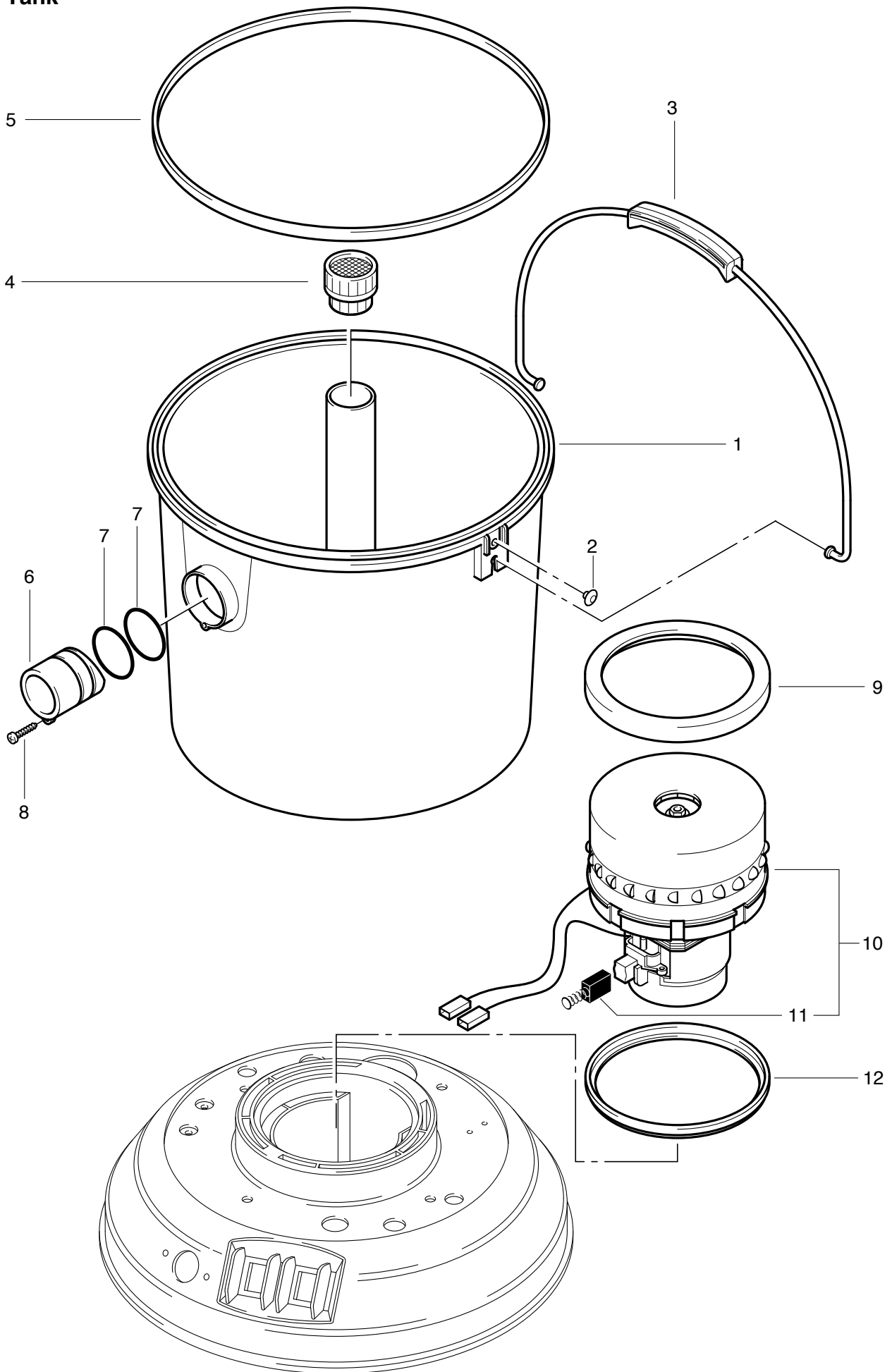


**DS 3  
Tank**



## DS 3 Tank

| <b>Pos.</b> | <b>Description</b>            | <b>Reference</b> |
|-------------|-------------------------------|------------------|
| 01          | Outside tank                  | 028.110          |
| 02          | Black sealing button          | P...070D         |
| 03          | Handle                        | P...009G         |
| 04          | Air filter                    | P...071          |
| 05          | Tightness cord 320x7,5x4,8 mm | P...052          |
| 06          | Hose connector                | P...026          |
| 07          | O-ring dm 35x3 mm             | P...024          |
| 08          | Screw 3,5x15 mm               | P...482G         |
| 09          | Profile sealing, grey, LAMB   | P...971E         |
| 10          | Vacuum motor, EMC 220V/800W   | P...870 C        |
| 11          | Carbon brush (Pair) EMC       | P...870V         |
| 12          | Profile, black, LAMB          | P...971A         |