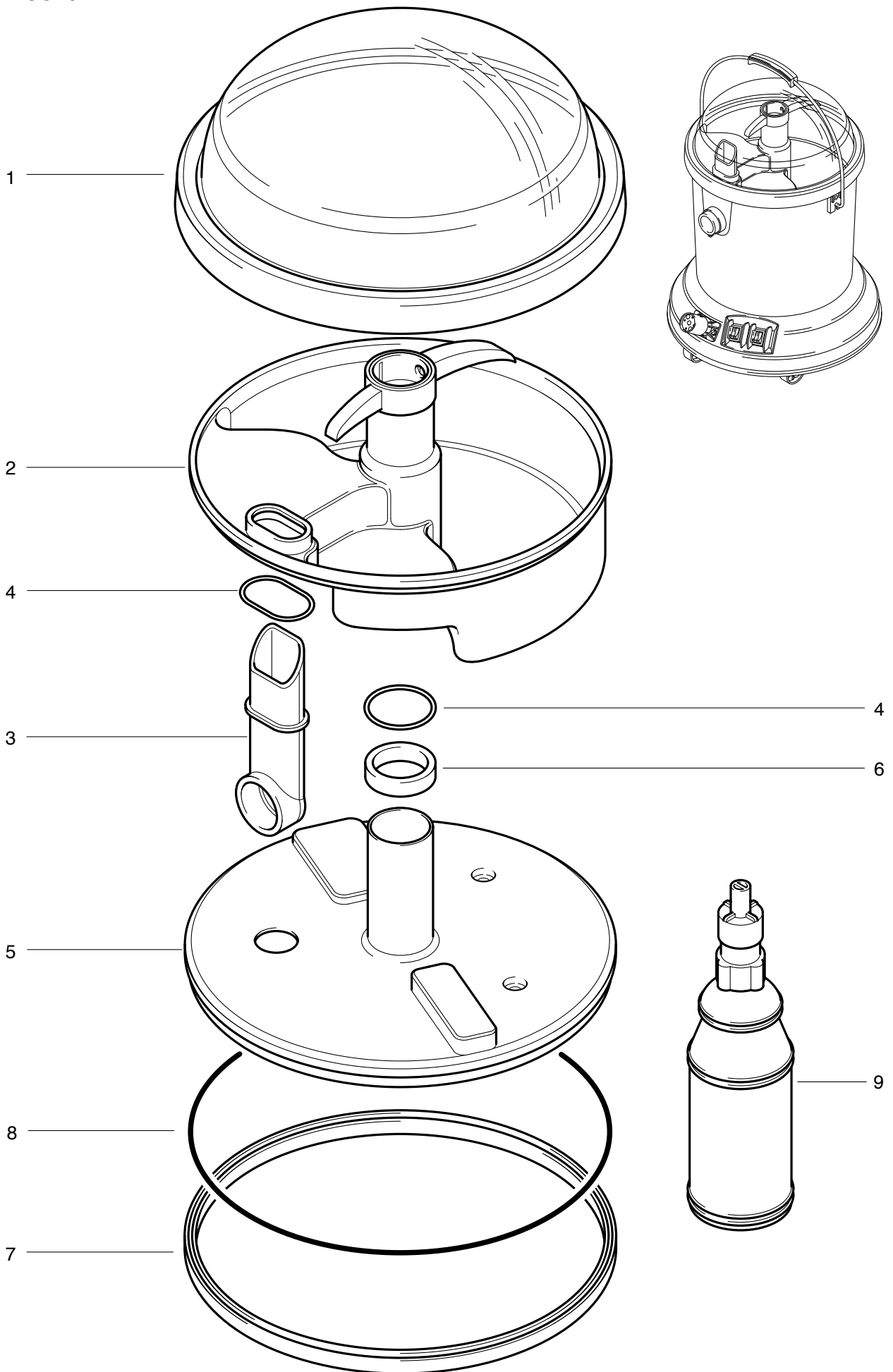


**DS 3
Cover**



DS 3 Cover

Pos.	Description	Reference
01	Cover	P...008
02	Waste water tank	028.400
03	Inlet pipe	P...025
04	O-ring dm 35x4 mm	P...024A
05	Partition	028.351
06	Small seal for partition	028.353
07	Large seal for partition	028.352
08	Tightness cord dm 910x3 mm	028.355
09	Refilling bottle	028.030