

RA435 IBC

Transport wheel 435.370
mounting instructions



Hint:



The conversation may only be carried out by our service department or authorized specialist personnel.

Attention:



Danger from electric current
Please turn off the device completely and secure it against turning it back on during the repair work.

Transport wheel contents

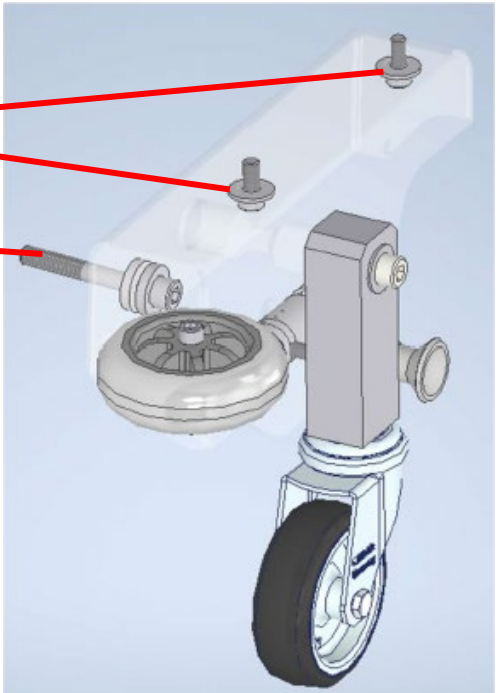
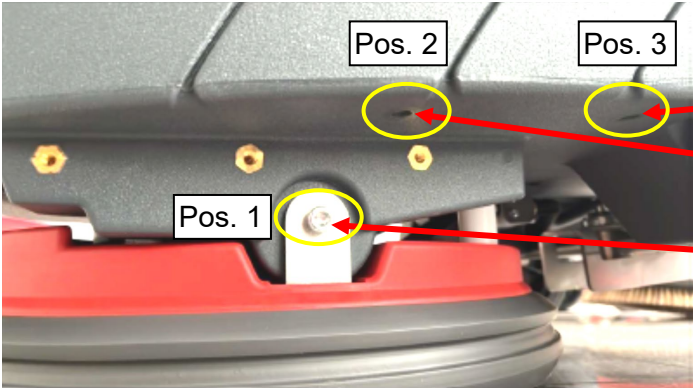


- 1x Transport wheel unit
- 1x Tension spring P511P
- 1x Cylinder head screw M8 x 60 P487FA
- 2x Washer M8 8,4/21/4 P495Z
- 2x Cylinder head screw M6 x 14 P486QA
- 2x Washer M6 6,4/18/1,6 P497H

Mounting transport wheel



Loosen the screw on the brush head. The screw is no longer needed.



Specified positions/screw holes to which it is mandatory to attach the transport wheel.



Prepare the long M8 screw with the two washers as shown and screw it tightly to pos. 1 (see page 3)



Use the M6 screw and washer to fix the transport wheel to the fresh water tank at positions 2 + 3 (according to page 3). It may help to remove the pressure spring for this purpose (better accessibility for spanner).



Ready-mounted transport wheel with pressure spring.

Contact

Cleanfix Reinigungssysteme AG

Stettenstrasse 15

CH-9247 Henau

+41 71 955 47 47

info@cleanfix.com

www.cleanfix.com

+ SWISS MADE QUALITY

